



RANGE ROVER

Owner's Handbook Supplement

Publication Part No. LRL 0314/2ENG

© Land Rover 2001

All rights reserved. No part of this publication may be reproduced, stored in a retrieval system or transmitted in any form, electronic, mechanical, recording or other means without prior written permission from Land Rover.



As part of Land Rover environmental policy, this publication is printed on paper made from chlorine free pulp.

Owner's Handbook Supplement

This supplement should be used in conjunction with your Owner's Handbook (Part No. LRL 0314 ENG) and provides additional and replacement information, relevant to your vehicle.

For your convenience, this supplement is divided into sections, corresponding with the relevant sections in the Owner's Handbook, each dealing with a different aspect of the vehicle.

IMPORTANT

The specification of each vehicle will vary according to territorial requirements and also from model to model within the vehicle range. Some of the information published in this handbook, therefore, may not apply to your particular vehicle.

Land Rover operates a policy of constant product improvement and therefore reserves the right to change specifications without notice at any time. Whilst every effort is made to ensure complete accuracy of the information in this handbook, no liabilities for inaccuracies or the consequences thereof can be accepted by the manufacturer or the dealer, except in respect of personal injury caused by the negligence of the manufacturer or the dealer.

Contents

Controls & Instruments

Message Centre	5
Child Restraints	6
Electric Windows	7

Driving & Operating

Emergency Starting	11
Emergency Towing	12

Owner Maintenance

Battery	17
---------------	----

Technical Data

Technical Data	21
----------------------	----

Appendices

Declarations of Conformity	I
----------------------------------	---

Controls & Instruments

Message Centre

MISCELLANEOUS FAULT MESSAGES 5

Child Restraints

CHILD SAFETY SEATS 6

Electric Windows

Rear window isolation switch 7

Message Centre

MISCELLANEOUS FAULT MESSAGES

The following are INFORMATION CATEGORY 2 messages, replacing or in addition to, the relevant messages given in the Handbook.

Message	Meaning	What to do?
REAR WINDOWS ON	the rear window isolation switch has been operated while the starter switch was turned off, leaving the rear window switches operational.	take appropriate action to isolate the rear window switches, if so desired.
REAR WINDOWS OFF	the rear window isolation switch has been operated while the starter switch was turned off, leaving the rear window switches isolated.	take appropriate action to enable the rear window switches, if so desired.

WARNING

ENSURE that the rear window switches are isolated when carrying children.

Child Restraints

CHILD SAFETY SEATS

Seat belts fitted to your vehicle are designed for adults and larger children. For their safety, it is very important that all infants and young children are restrained in a suitable child safety seat appropriate to their age and size (see table). Child safety seats approved for use in your vehicle are available from Land Rover dealers.

Only fit a child safety seat of a type approved for the specific seating positions in your vehicle (see table), and ensure the seat manufacturer's fitting instructions are followed exactly.

Vehicles fitted with a passenger airbag

For optimum safety, children should travel in the rear of the vehicle at all times; front passenger seat travel is NOT recommended. However, if a passenger airbag is fitted and it is essential that a child travel in the front, set the seat fully rearward and seat the child in an approved, FORWARD FACING child seat. DO NOT use a rear facing child seat - an inflating airbag could impact with the seat and cause serious injury to the child!



The above symbol affixed to the passenger side fascia panel of your vehicle, warns against the use of a REAR FACING child seat in the front passenger seat, when a passenger airbag is fitted. This type of child seat could cause serious injury to a child in the event of an airbag deployment.

WARNING

DO NOT install a rearward facing child seat in a passenger seat equipped with an airbag system. Failure to follow this advice could result in serious injury, or even death for the child in the event of airbag deployment.

Mass Group	Seating Positions		
	Front Passenger	Rear Outboard	Rear Centre
0 = Up to 10 kg (0-9 months)	U†	U	X
0+ = Up to 13 kg (0-2 years)	UF†	UF	UF
I = 9 to 18 kg (9 months - 4 years)	UF†	UF	UF
II & III = 15 to 36 kg (4-12 years)	U†	U	X

U = Suitable for 'universal' category restraints approved for this mass group.
 UF = Suitable for forward-facing 'universal' category restraints approved for this mass group.
 L = Suitable for particular child restraints. These may be of 'specific vehicle', 'restricted' or 'semi-universal' categories (consult your dealer for further information).
 X = Seat position not suitable for children in this mass group.
 † = NOT to be used if a passenger airbag is fitted.

Electric Windows

Rear window isolation switch

Press the bottom of the switch to isolate the rear window controls (a tone will sound); press the top of the switch to restore independent control.

If the switch is operated when the starter switch is turned off, the message centre will inform the driver that a change in status of the switch has occurred (either 'REAR WINDOWS OFF' or 'REAR WINDOWS ON' will be displayed). Refer to '*MISCELLANEOUS FAULT MESSAGES*', page 5 of this supplement for more information about the messages.

Always isolate the rear windows when carrying children.

Driving & Operating

Emergency Starting

STARTING AN ENGINE WITH A DISCHARGED BATTERY	11
--	----

Emergency Towing

TOWING EYES	12
TOWING FOR RECOVERY	12

Emergency Starting

STARTING AN ENGINE WITH A DISCHARGED BATTERY

Vehicles fitted with Satellite Navigation *

WARNING

If the engine fails to start when using a donor battery or starter/charger, wait for approximately 2 minutes after the starter switch is turned off, BEFORE disconnecting the donor battery or starter/charger - irreparable damage to the navigation computer may occur.

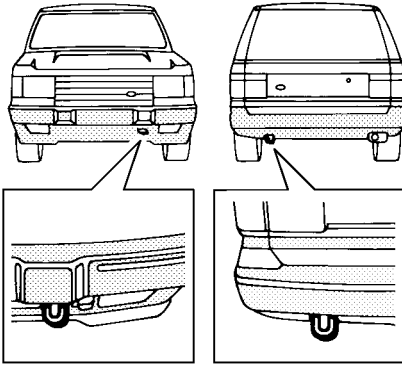
On vehicles fitted with Satellite Navigation, the navigation computer remains on for approximately 1 minute after the starter switch is turned off. During this time, the computer carries out a memory back-up procedure. It is ESSENTIAL that the donor battery or starter/charger is NOT disconnected while this back-up procedure is being carried out.

Before disconnecting the donor battery or starter/charger, ensure that the navigation computer has switched off by waiting for 2 minutes and checking that the 'Power ON' LED on the navigation computer (located on the right hand side of the luggage compartment) is NOT illuminated.

If the donor battery or starter/charger is disconnected while the navigation computer is carrying out the memory back-up procedure, the navigation screen will remain blank the next time the system is turned on, and the navigation computer will need to be replaced.

Emergency Towing

TOWING EYES



P0132

The towing eyes at the front and rear of the vehicle are designed for vehicle recovery purposes only and must NOT be used to tow a trailer or caravan.

FRONT: Use ONLY when the vehicle is to be towed with ALL four wheels on the ground (see 'Towing the vehicle on four wheels', page 12, for the correct procedure).

REAR: Use ONLY when towing another vehicle.

TOWING FOR RECOVERY

Most vehicle recovery specialists will load your vehicle onto a trailer. However, if it is necessary to recover the vehicle by towing with all four wheels on the ground, observe the following procedure:

Towing the vehicle on four wheels

WARNING

ALWAYS adhere to the following procedure when towing the vehicle with all four wheels on the ground. Failure to do so could result in unintended vehicle movement or unanticipated vehicle conditions.

When preparing to tow the vehicle on four wheels, it is essential that neutral is selected on the transfer gearbox - before attempting to select transfer neutral, ensure that the handbrake is properly and securely applied.

IMPORTANT INFORMATION

Your vehicle has permanent four-wheel drive and is fitted with a steering lock. The following instructions must be carried out carefully to prevent damage to the vehicle.

Leaving the starter key in position 'I' or 'II' for extended periods may drain the vehicle battery, for further information on charging the battery or starting the engine on vehicles with a discharged battery, see the relevant sections of the handbook and also 'STARTING AN ENGINE WITH A DISCHARGED BATTERY', page 11 of this supplement.

1. Secure the towing attachment from the recovery vehicle to the front towing eye of the vehicle to be recovered.
2. With the handbrake applied, insert the starter key and turn it to position 'II'.

Emergency Towing

3. Place the gear lever in neutral ('N' Neutral for automatic transmission).
4. Turn the starter switch to position '0'.
5. Insert a fuse (5 amps or greater) into position 11 of the Right Hand Seat Fuse Box (see the 'Fuses' section in the handbook).
6. Turn the starter switch to position 'II'. The transfer gearbox will automatically select transfer neutral - wait until the message centre displays 'TRANSFER NEUTRAL'.
7. Turn the starter switch to position 'I'.

NOTE: *The transfer gearbox is now in neutral and the steering wheel is unlocked, The vehicle MUST remain in this condition whilst being towed on all four wheels.*

8. If required, the starter switch may be turned to position 'II', to operate the brake lights and direction indicators.
9. Release the handbrake before towing the vehicle.

After towing on four wheels

To engage the transfer gearbox after towing, perform the following steps:

1. Apply the handbrake and verify that neutral ('N' for automatic transmission) is selected in the main gearbox.
2. Turn the starter switch to position '0'.
3. Remove the fuse from position 11 of the Right Hand Seat Fuse Box.
4. Turn the starter switch to position 'II'. The transfer gearbox will engage and 'TRANSFER NEUTRAL' will extinguish in the message centre display. On manual transmission vehicles, press the range change switch to select either HIGH or LOW range.
5. On automatic transmission vehicles, select 'P' (park) on the main gearbox.
6. Turn the starter switch to position '0'.

WARNING

DO NOT remove the key or turn the starter switch to position '0' while the vehicle is in motion; the starter switch must be at position 'I' to unlock the steering.

Without the engine running, the brake servo and power steering pump cannot provide assistance; greater effort will therefore be required to operate the brake pedal and turn the steering wheel. Longer stopping distances will also be experienced.

Owner Maintenance

Battery

BATTERY MAINTENANCE	15
---------------------------	----

Battery

BATTERY MAINTENANCE

Battery removal and replacement

WARNING

On vehicles fitted with Satellite Navigation, DO NOT disconnect the battery for at least 2 minutes after the starter switch is turned off - irreparable damage to the navigation computer may occur.

On vehicles fitted with Satellite Navigation, the navigation computer remains on for approximately 1 minute after the starter switch is turned off. During this time, the computer carries out a memory back-up procedure. It is ESSENTIAL that the battery is NOT disconnected while this back-up procedure is being carried out.

Before disconnecting the battery, ensure that the navigation computer has switched off by waiting for 2 minutes and checking that the 'Power ON' LED on the navigation computer (located on the right hand side of the luggage compartment) is NOT illuminated.

If the battery is disconnected while the navigation computer is carrying out the memory back-up procedure, the navigation screen will remain blank the next time the system is turned on, and the navigation computer will need to be replaced.

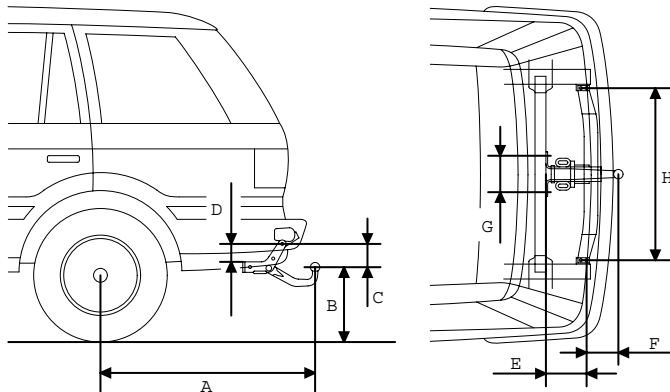
Technical Data

Technical Data

TOW BAR DIMENSIONS	19
--------------------------	----

Technical Data

TOW BAR DIMENSIONS



H3903

A	Wheel centre to centre of towball	1172 mm
B	Ground to centre of towball	403 mm
C	Centre of inner attachment points to centre of towball	25 mm
D	Centre inner attachments to centre outer attachments	205 mm
E	Centre inner attachments to centre outer attachments	30 mm
F	Centre inner attachments to centre of towball	100 mm
G	Distance between centres of inner attachments	200 mm
H	Distance between centres of outer attachments	921 mm

Dimensions refer to towing equipment officially released by Land Rover

Appendices

DECLARATIONS OF CONFORMITY

IMPORTANT INFORMATION

The Declarations of Conformity detailed on the following pages are from manufacturers of RF (Radio Frequency) equipment, whose components are used in the manufacture of your Range Rover.

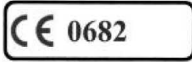
These manufacturers state that their components comply with relevant rules of the R & TTE (Radio and Telecommunication Terminal Equipment) directive.

The directive requires the manufacturer of short range radio devices to self certify that RF parts fitted to Land Rover vehicles are fit for use and that the declarations are supplied with the vehicle documentation. If at a future date a technical inspection is required, the declarations will provide all necessary information.

NOTE: *The Declarations of Conformity are published in the native language of the RF equipment manufacturer, in compliance with the R & TTE Directive.*

Appendices

DECLARATION OF CONFORMITY



This declaration is the responsibility of the manufacturer / authorised representative within the Community:

Supplier

Connaught Electronics Ltd.

Supplier Address

Dunmore Road,
Tuam
Co. Galway,
Ireland

This certifies that the following designated product

RECEIVER 433MHz PART No. 0861

(Product identification)

complies with the essential protection requirements of R&TTE Directive 1999/5/ EC on the approximation of the laws of the Member States relating to **Radio Spectrum Matters, EMC and Electrical Safety.**

This declaration applies to all specimens manufactured in accordance with the technical documentation described in the annex II. Connaught Electronics Ltd. keep this documentation at the proposal of the relevant national authorities of any Member State for inspection purpose. Assessment of compliance of the product with the requirements relating to the essential requirements acc. to Article 3 R&TTE was based on Annex IV of the Directive 1999/5/EC and the following standards:

Radio Spectrum:	EN 300 220-1 (Identification of regulations / standards)
EMC:	EN300683 (Identification of regulations / standards)
Safety:	EN 60950 (Identification of regulations / standards)

(Place, date)

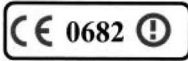
Tuam, Ireland

22/02/2001

(Signature)

Appendices

DECLARATION OF CONFORMITY



This declaration is the responsibility of the manufacturer / authorised representative within the Community:

Supplier

Connaught Electronics Ltd.

Supplier Address

Dunmore Road,
Tuazn
Co. Gaiway,
Ireland

This certifies that the following designated product

TRANSMITTER 433Mhz PART No. 6050

(Product identification)

complies with the essential protection requirements of R&TTE Directive 1999/5/EC on the approximation of the laws of the Member States relating to **Radio Spectrum Matters, EMC and Electrical Safety.**


This declaration applies to all specimens manufactured in accordance with the technical documentation described in the annex H. Connaught Electronics Ltd. keep this documentation at the proposal of the relevant national authorities of any Member State for inspection purpose.

Assessment of compliance of the product with the requirements relating to the essential requirements acc. to Article 3 R&TTE was based on Annex IV of the Directive 1999/5/EC and the following standards:

Radio Spectrum: EN 300 220-1
(Identification of regulations / standards)

EMC: EN300683
(Identification of regulations / standards)

Safety: EN 60950
(Identification of regulations / standards)

 The Transmitter 6050 is a 433.92 MHz radio equipment not submitted to harmonised standards. This device is licence exempt and distributed in the European countries which will apply the R&Y17E directive: Austria, Belgium, Denmark, Estonia, Finland, France, Germany, Greece, Iceland, Ireland, Italy, Luxembourg, Netherlands, Norway, Portugal, Spain, Sweden, Switzerland and UK.

(Place, date)

Tuam, Ireland

22/02/2001

(Signature)

Index

B

Battery	
Remove & replace	17
Battery disconnection	
Vehicles with Satellite Navigation	17
Breakdown recovery	12

C

Child restraints	6
Child safety seats	6

D

Dimensions	
Tow bar	21

E

Emergency starting	
Vehicles with Satellite Navigation	11

F

Fault messages	5
----------------	---

I

Isolation switch (rear windows)	7
---------------------------------	---

J

Jump starting	
Vehicles with Satellite Navigation	11

M

Message centre	5
----------------	---

R

Rear window isolation switch	7
------------------------------	---

S

Satellite Navigation	
Battery disconnection	17
Seats	
Child restraints	6

T

Tow bar dimensions	21
Towing eyes	12
Towing for recovery	12
Towing on four wheels	12
Transfer neutral	12

W

Window isolation switch	7
Window messages	5